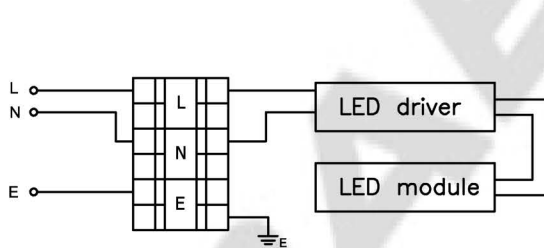
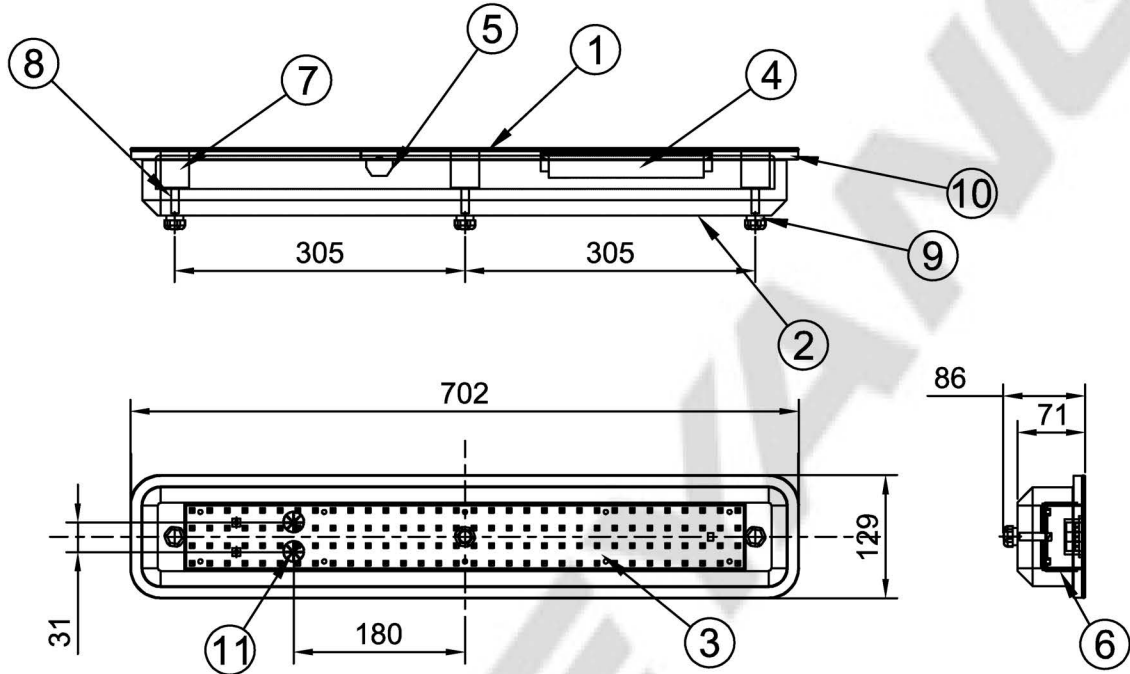
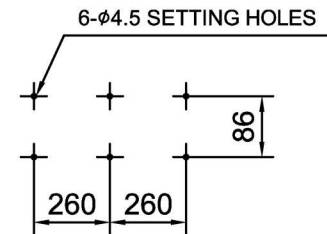


CAPACITY	SYMBOL / SERIAL NO.	CIRCUIT DIAGRAM
AC100-240V, 50/60Hz		
25W		



CIRCUIT DIAGRAM



SETTING DIMENSION

**\* CAUTION**  
 When cleaning globe, please wipe clean with a damp cloth.  
 Do not use thinner or (organic) solvent.

\*Front part of the Ceiling light after installation satisfies IP44.

11	CABLE INLET HOLES	NYLON	2	Ø16 SNAP BUSHING					
10	PACKING	SILICONE	1		5	TERMINAL BLOCK	-	1	CLAMPING 3P
9	RESIN COVER BOLT	STAINLESS STEEL 304	3	M5	4	LED driver	-	1	
8	SUPPORT	BRASS	3		3	LED module	-	1	5,000K
7	BODY BRACKET	STAINLESS STEEL 304	3		2	GLOBE	POLYCARBONATE	1	
6	LED module BRACKET	ALUMINIUM	1		1	BODY	STAINLESS STEEL 316L	1	
NO	NAME OF PARTS	MATERIAL	Q'TY	REMARKS	NO	NAME OF PARTS	MATERIAL	Q'TY	REMARKS

APPROVED	B. K. KIM	UNIT	MM
CHECKED	W. J. JI	SCALE	N/S
DRAWING	B. I. KIM	COLOR	N-9.3
DATE	2015.12.04	IP	44

TITLE;  
**LED CEILING LIGHT  
 (THIN SURFACE TYPE)  
 FOR MARINE USE**



MODEL NO.	LEB125WS-0550UTHQC40-WG	WEIGHT	4 Kg
DWG NO.	LO1450164	SHEET NO.	10